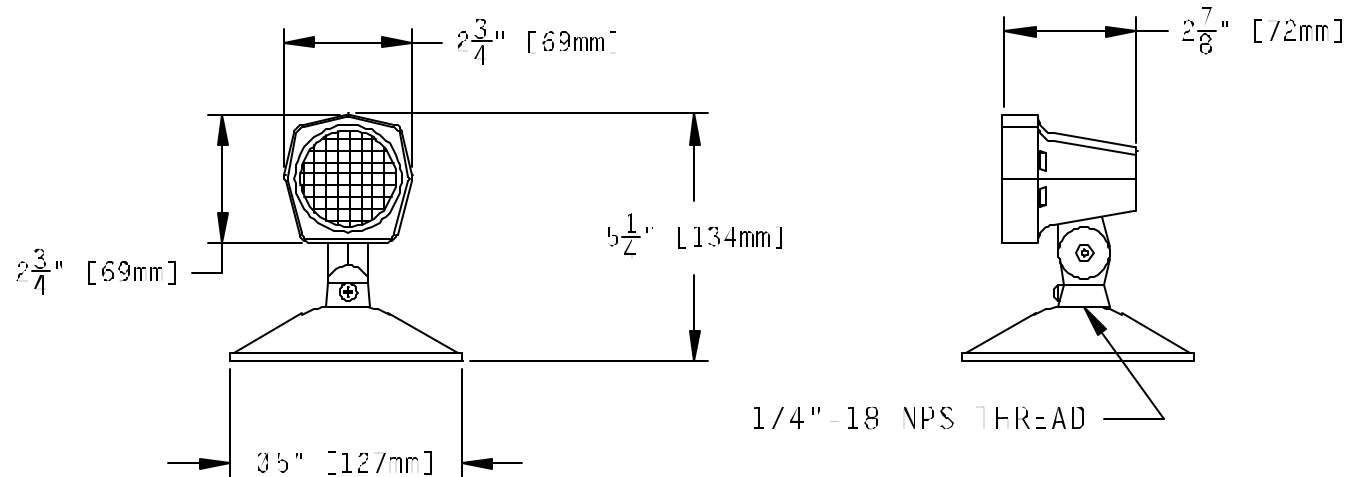




5 Wisconsin Ave.  
Norwich, CT 06360  
Tel. (860) 887-4550  
Fax (860) 887-4534  
www.lamphead.com (Product)  
www.nutron-mfg.com (Company)

# 2751 Series Par 18 Non-Metallic Lamphead



**Flame Retardant Thermoplastic**

**Colors - Cream, White, Gray & Black**

**Lamping:**

6, 12v Wedge Base Tungsten

6, 12v Bi Pin Halogen

**Non-Metallic Canopy available in various configurations**